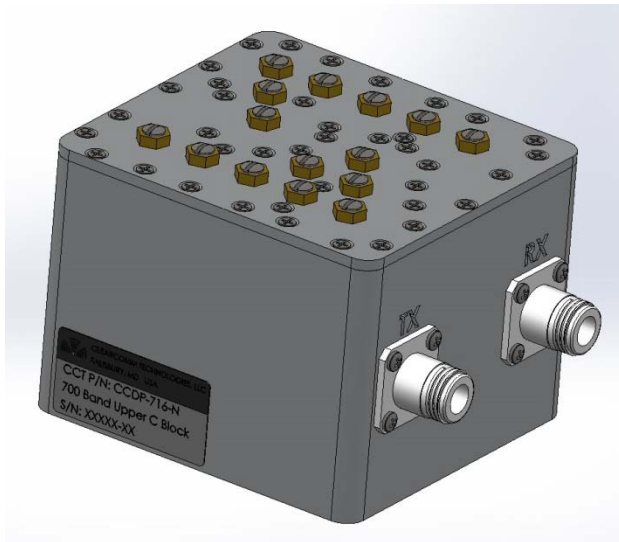


Product Specifications



CCDP-886

Duplexer, FirstNet

Small Footprint

Covers LTE Band 14

Low Loss / High Isolation Design

Electrical Specifications

PASSBAND

COMMON	758 - 798 MHz
FORWARD	758 - 768 MHz
REVERSE	788 - 798 MHz

PASSBAND INSERTION LOSS 1.2 dB Max.

PASSBAND RETURN LOSS 20 dB Min.

PORT TO PORT ISOLATION 60 dB Min.

PASSIVE INTERMODS -153 dBc

POWER HANDLING 50 W CW / Avg.

Environmental Specifications

OPERATING TEMPERATURE -40° to +65°C Operating

ENVIRONMENTAL Per ETS-300

WEATHERIZATION Per IP-65

Rev: 091417

Product Specifications



Mechanical Specifications

CONNECTORS

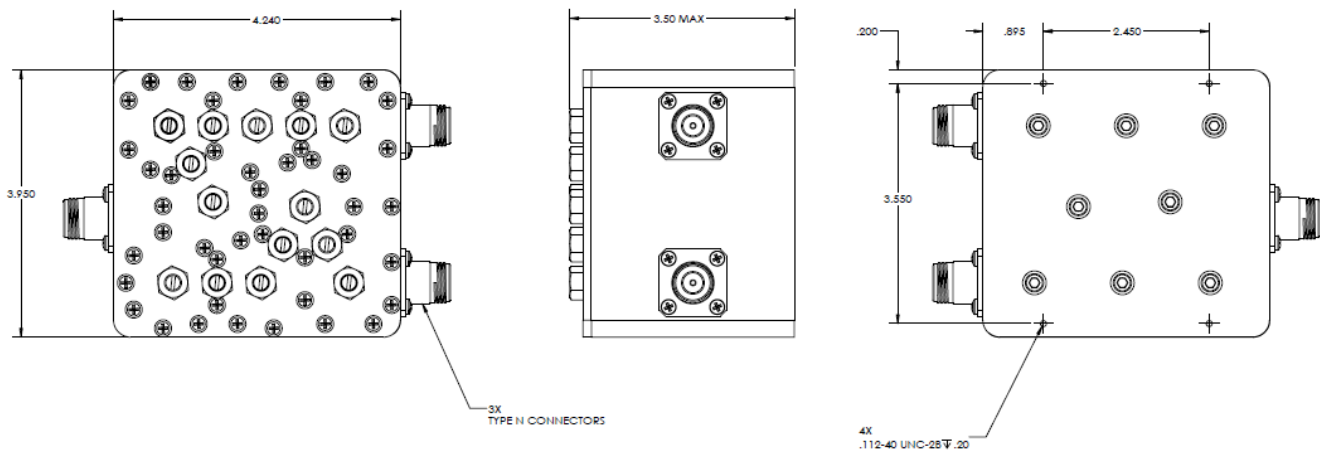
Type 'N' Female

SIZE

4.24 x 3.95 x 3.5" Excluding connectors.

WEIGHT

Approx. 3 lbs



OUTLINE DRAWING

Rev: 091417