



# WIRELESS PRODUCTS

## DAS Interface Tray

### 1900 Band

#### Model Number: CCFA-528

PARAMETER	SPECIFICATION
FREQUENCY RANGE	1850-1910 & 1930-1990 MHz
NUMBER OF BTS INPUTS	2 (Tx/Rx0 & Tx/Rx1)
POWER HANDLING	40 W CW / Avg. per Port
Tx / Rx ISOLATION	60 dB Min
PASSIVE INTERMODS Tx/Rx PORT IN Rx BAND	-150 dBc
Tx INSERTION LOSS	33 dB Min. (Step Attenuator at 0 dB)
Rx INSERTION LOSS	5 dB Min. (Step Attenuator at 0 dB)
Tx LEVEL CONTROL	Adjustable in 1 dB Steps from 0 to 30 dB
Rx LEVEL CONTROL	Adjustable in 1 dB Steps from 0 to 30 dB
NUMBER OF DAS CONNECTIONS	4 (Tx0, Rx0, Tx1, Rx1) Note: Unit includes monitor ports for each of the DAS Connections
OPERATING TEMPERATURE	-25° to +60° Operating, IP-64
CONNECTORS	7/16 DIN Female from BTS Type 'N' Female to DAS
DIMENSIONS	2U High 19" Rack Mount
WEIGHT	Approx 30 lbs

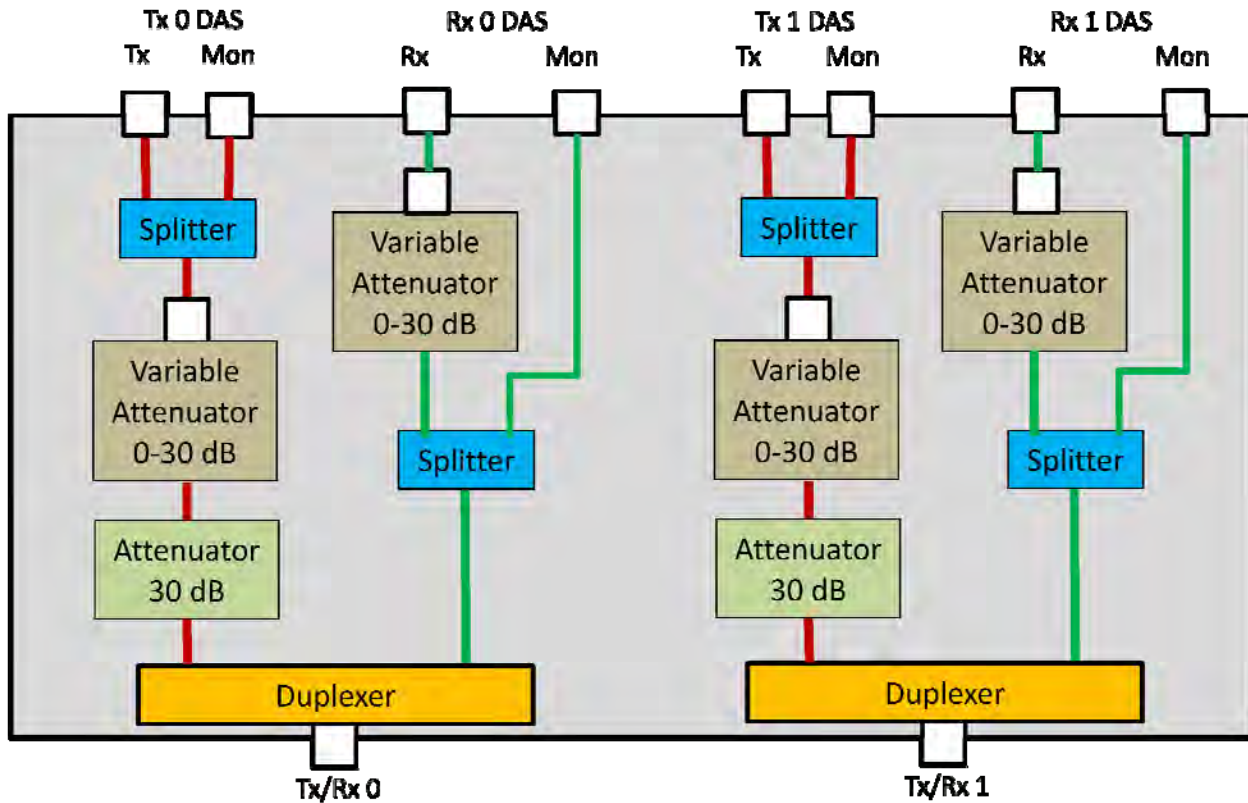
Rev: 052913



# WIRELESS PRODUCTS

## DAS Interface Tray

### 1900 Band



Connectors from BTS are 7/16 DIN and are on the rear of the tray  
 Connectors from DAS are Type 'N' Female and are on the rear of the tray  
 Variable Attenuator controls are on the front  
 Max input is 40 watts (46.02 dBm)