



WIRELESS PRODUCTS

DAS Interface Tray

700 Upper C Band

Model Number: CCFA-526

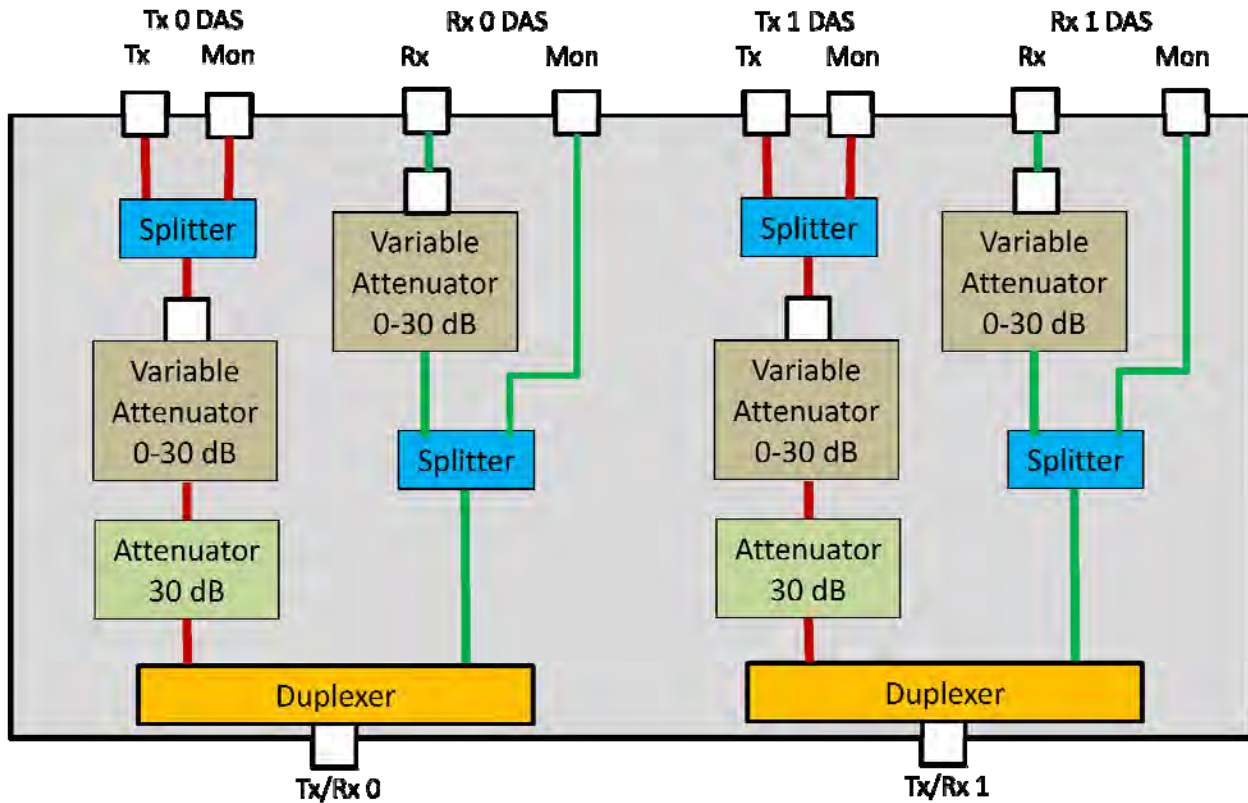
PARAMETER	SPECIFICATION
FREQUENCY RANGE	746-757 MHz & 776-787 MHz
NUMBER OF BTS INPUTS	2 (Tx/Rx0 & Tx/Rx1)
POWER HANDLING	40 W CW / Avg. per Port
Tx / Rx ISOLATION	60 dB Min
PASSIVE INTERMODS Tx/Rx PORT IN Rx BAND	-150 dBc
Tx INSERTION LOSS	33 dB Min. (Step Attenuator at 0 dB)
Rx INSERTION LOSS	5 dB Min. (Step Attenuator at 0 dB)
Tx LEVEL CONTROL	Adjustable in 1 dB Steps from 0 to 30 dB
Rx LEVEL CONTROL	Adjustable in 1 dB Steps from 0 to 30 dB
NUMBER OF DAS CONNECTIONS	4 (Tx0, Rx0, Tx1, Rx1) Note: Unit includes monitor ports for each of the DAS Connections
OPERATING TEMPERATURE	-25° to +60° Operating, IP-64
CONNECTORS	7/16 DIN Female from BTS Type 'N' Female to DAS
DIMENSIONS	2U High 19" Rack Mount
WEIGHT	Approx 30 lbs

Rev: 052913



WIRELESS PRODUCTS

DAS Interface Tray 700 Upper C Band



Connectors from BTS are 7/16 DIN and are on the rear of the tray
 Connectors from DAS are Type 'N' Female and are on the rear of the tray
 Variable Attenuator controls are on the front
 Max input is 40 watts (46.02 dBm)