



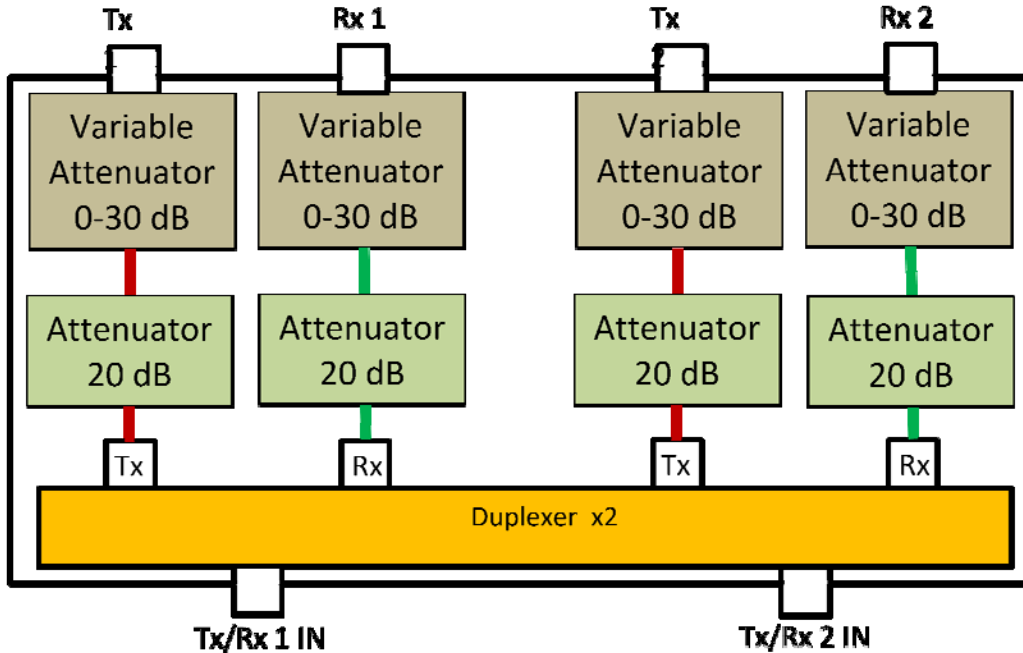
WIRELESS PRODUCTS

DAS Interface Tray 700 Lower BC Band

Model Number: CCFA-448

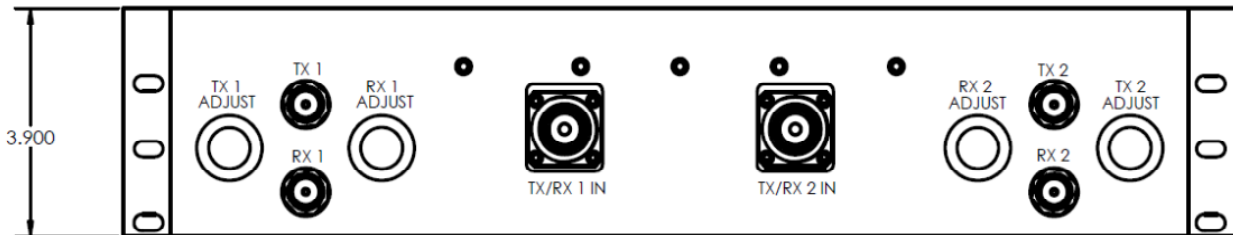
PARAMETER	SPECIFICATION
FREQUENCY RANGE 700 MHz, Upper C Band	Rx Path & Tx Path 704 - 716 and 734 - 746 MHz
Tx PATH ATTENUATION RANGE	20 dB to 50 dB In 1 dB Steps
Rx PATH ATTENUATION RANGE	20 dB to 50 dB In 1 dB Steps * May be ordered without fixed Attenuator
PASSBAND RETURN LOSS	20 dB Min
ISOLATION Tx TO Rx	60 dB Min
PASSIVE INTERMODULATION (PIM)	-153 dBc Max
POWER HANDLING	100 W Avg. / CW 1500 W Peak
OPERATING TEMPERATURE	+10° to +40° C
CONNECTORS	Tx/Rx1 IN & Tx/Rx2 IN - 7/16 DIN Tx1, Tx2, Rx1, Rx2 - Type 'N' Female
DIMENSIONS	19" x 12 x 2U Shelf

Note: There are two assemblies per tray.



Note: All connectors and Attenuation Adjustments are on the Front Panel.
Diagram is shown this way for simplicity

Block Diagram



Front Panel Layout