



# ***WIRELESS PRODUCTS***

## **Terminations, High Power**

COMMON PARAMETERS	SPECIFICATION
FREQUENCY RANGE	698 - 2700 MHz
RETURN LOSS	22 dB Min.
PASSIVE INTERMODS	-155 dBc
CONNECTORS	Type 'N', 7/16 DIN, 4.1/9.5 MiniDIN, 4.3/10 MiniDIN Default is Male Connector
DIMENSIONS	See Outlines
TEMPERATURE RANGE	-20 to +70° C Operating

ClearComm Model Number	Max. Power	Weatherization	DC Path
CCTM-020	40 W Avg.	IP-65	OPEN
CCTM-021	150 W Avg.	IP-65	SHORT*
CCTM-021-1W	150 W Avg.	IP-67	OPEN
CCTM-022	50 W Avg.	IP-65	OPEN
CCTM-023	60 W Avg.	IP-67	OPEN
CCTM-025	20W Avg.	IP-65	OPEN

The CCTM-020 is a cylindrical, Low PIM Cable Termination.

The CCTM-021 is a Low PIM Termination with DC Load. The unit is supplied with a 3 Watt Type N male connector that functions as a 50 Ohm termination to ground serving a DC path to ground.

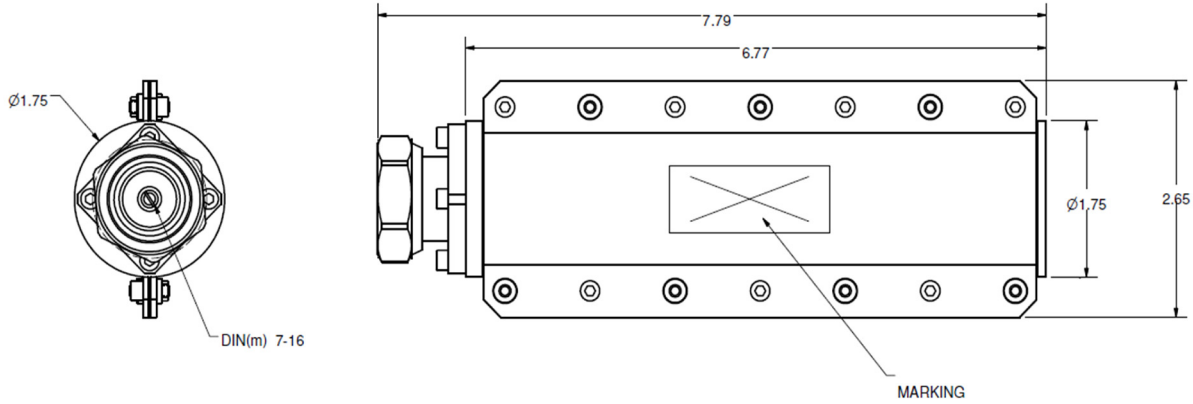
The CCTM-021-1W is weatherized per IP-67. Suitable for outdoor use

The CCTM-022 is a 'Pancake' Low PIM Cable Termination with a flying Lead

The CCTM-023 is weatherized per IP-67. Suitable for outdoor use

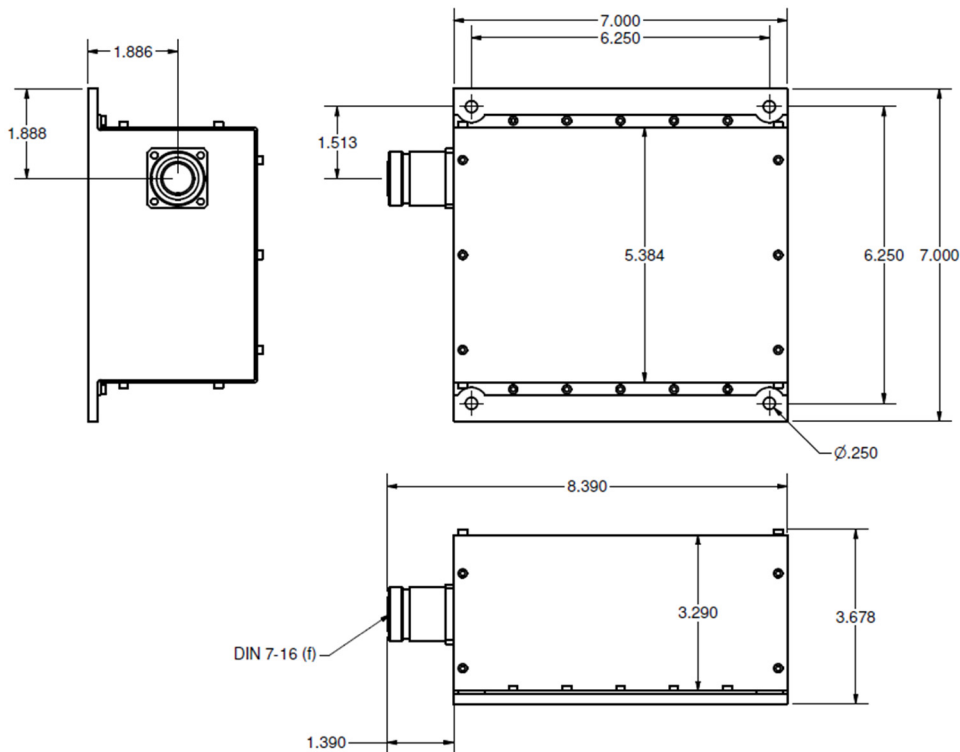
The CCTM-025 is a smaller, low power Termination

Revision: 091415

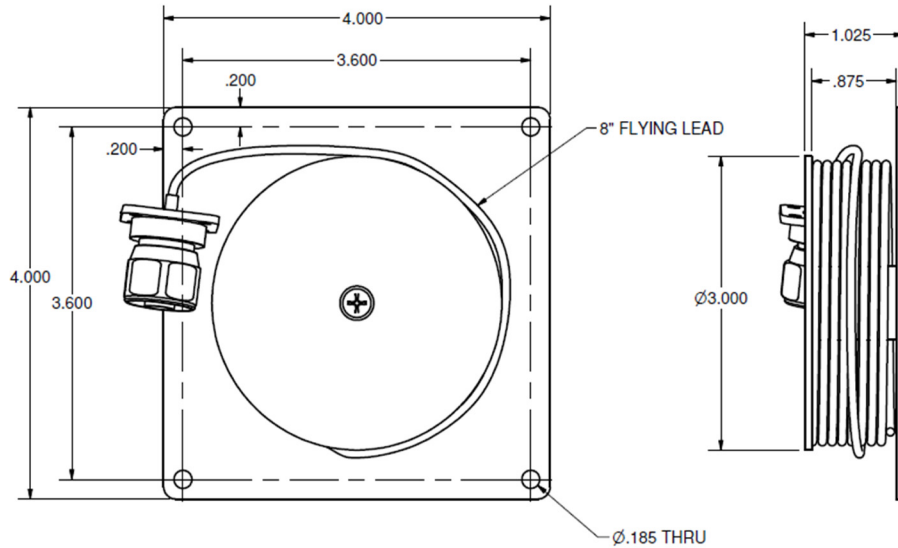


**OUTLINE CCTM-020-1M**

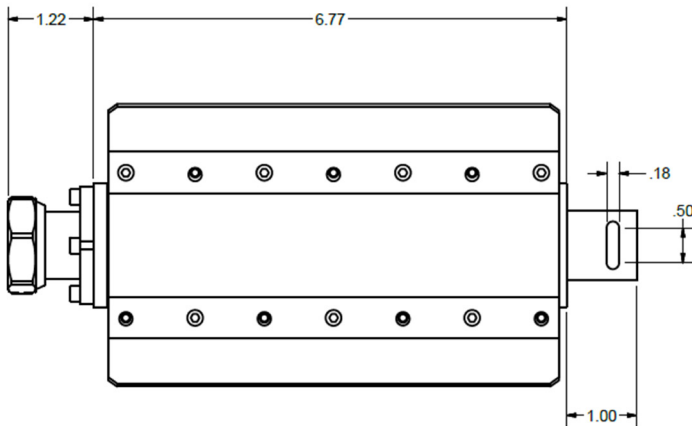
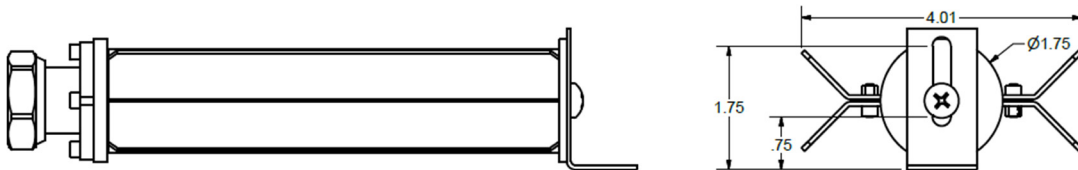
OUTLINE CCTM-021



**OUTLINE CCTM-021**



**OUTLINE CCTM-022M**

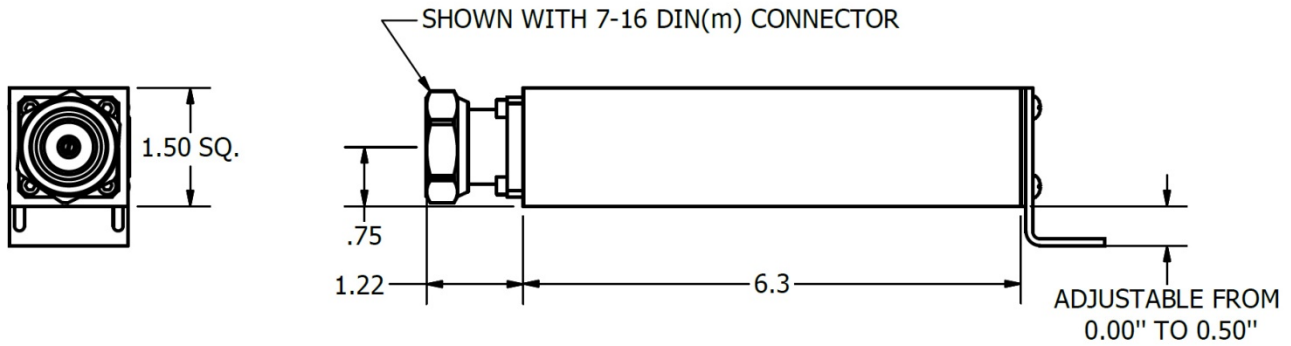


**OUTLINE CCTM-023-1W**



# **WIRELESS PRODUCTS**

## **Terminations, High Power**



OUTLINE CCTM-025