



WIRELESS PRODUCTS

Terminations, Weatherized

ClearComm Technologies' Terminations are low and medium power coaxial loads, which operate from DC to up to 3 GHz. Higher powers have cooling fins help to minimize temperature rise of the resistive film terminating element, contained within a carefully matched coaxial housing. Standard connectors are N and 7-16 DIN Male. Higher powers, VSWR requirements, different connectors or other special specifications may be available to special order.

For requirements specific to your needs, please contact ClearComm Technologies, LLC.

ClearComm Model Number	Frequency Range	Return Loss	Power Handling	Connector	Temperature Range
CCTM-010	DC - 3000 MHz	22 dB Min	1W Avg / 250W Peak @ 25°C	7/16 DIN Male	-40 to +65C
CCTM-011	DC - 3000 MHz	22 dB Min	1W Avg / 250W Peak @ 25°C	Type 'N' Male	-40 to +65C
CCTM-012	DC - 3000 MHz	22 dB Min	5W Avg / 1kW Peak @ 25°C	7/16 DIN Male	-40 to +65C
CCTM-013	DC - 3000 MHz	22 dB Min	5W Avg / 1kW Peak @ 25°C	Type 'N' Male	-40 to +65C
CCTM-014	DC - 3000 MHz	22 dB Min	10W Avg / 1kW Peak @ 25°C	7/16 DIN Male	-40 to +65C
CCTM-015	DC - 3000 MHz	22 dB Min	10W Avg / 1kW Peak @ 25°C	Type 'N' Male	-40 to +65C
CCTM-016	DC - 3000 MHz	22 dB Min	20W Avg / 1kW Peak @ 25°C	7/16 DIN Male	-40 to +65C
CCTM-017	DC - 3000 MHz	22 dB Min	20W Avg / 1kW Peak @ 25°C	Type 'N' Male	-40 to +65C

Housing: Brass, Nickel Plated

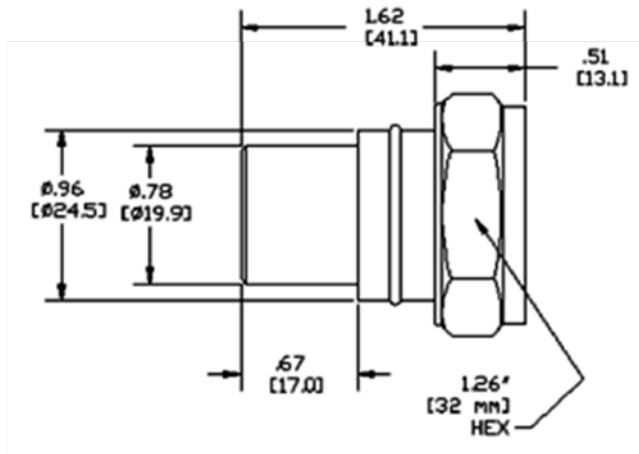
Contact: Brass, Silver Plated

Heat Sinks (where applicable) are Aluminum, Black Anodized

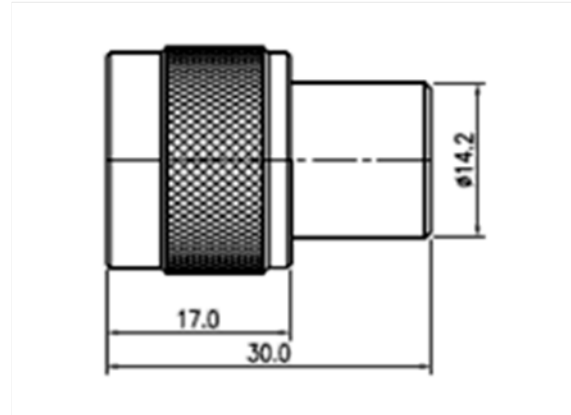
Weatherization: to IP-68

Connectors and contacts are in compliance with IEC 60169-4/16

Revision: 091415

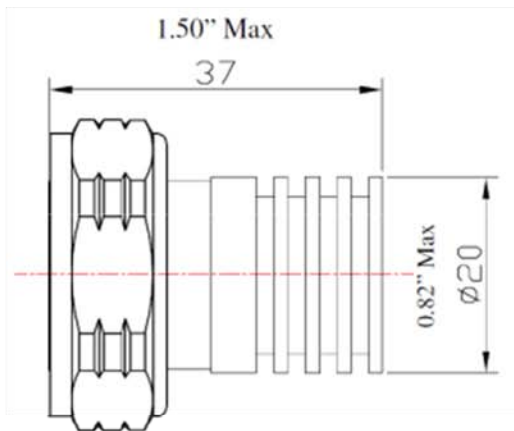


OUTLINE CCTM-010 (DIN)

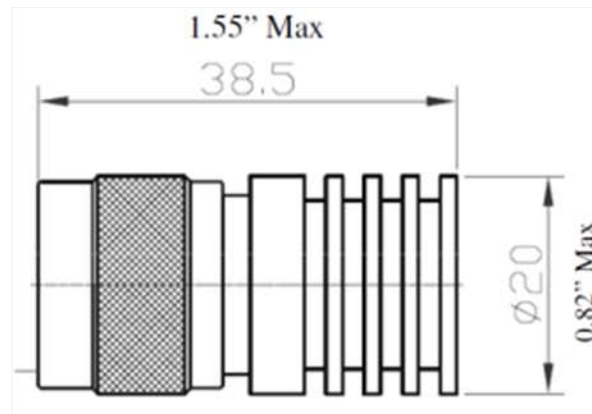


CCTM-011 (Type 'N')

1 Watt TERMINATIONS

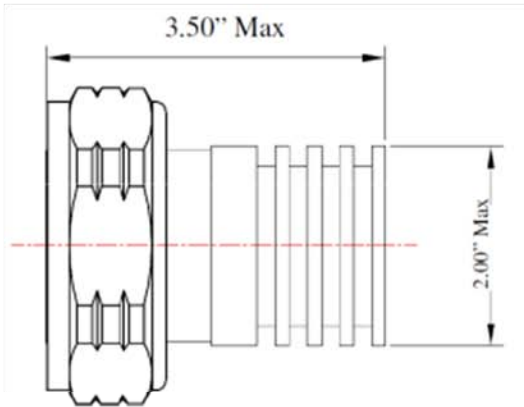


OUTLINE CCTM-012 (DIN)

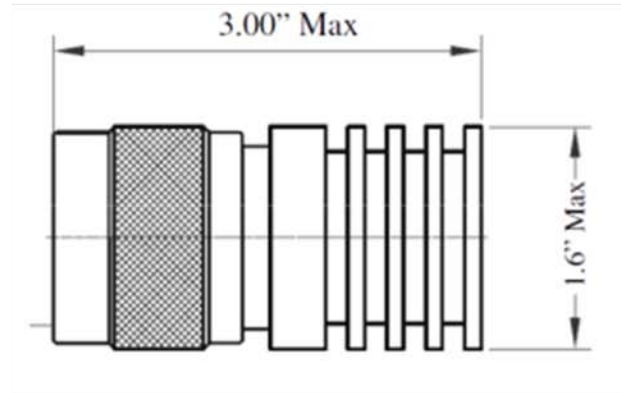


CCTM-013 (Type 'N')

5 Watt TERMINATIONS

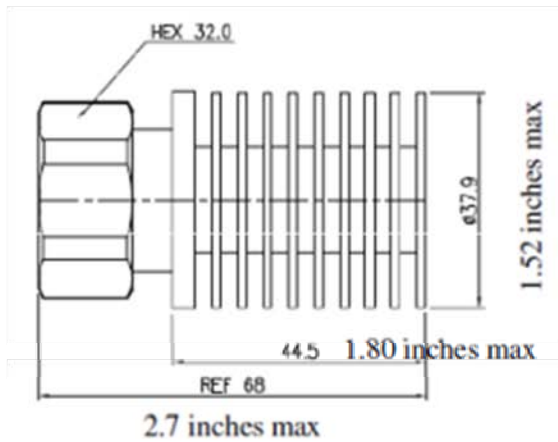


OUTLINE CCTM-014 (DIN)

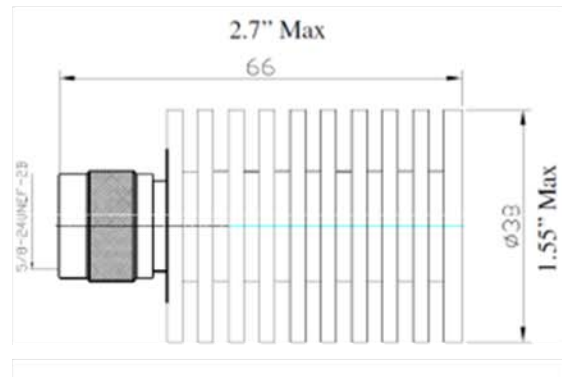


CCTM-015 (Type 'N')

10 Watt TERMINATIONS



OUTLINE CCTM-016 (DIN)



CCTM-017 (Type 'N')

20 Watt TERMINATIONS