

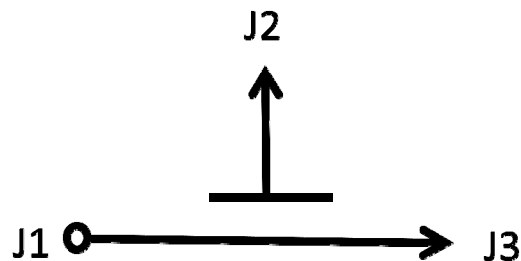


WIRELESS PRODUCTS

Unequal Dividers

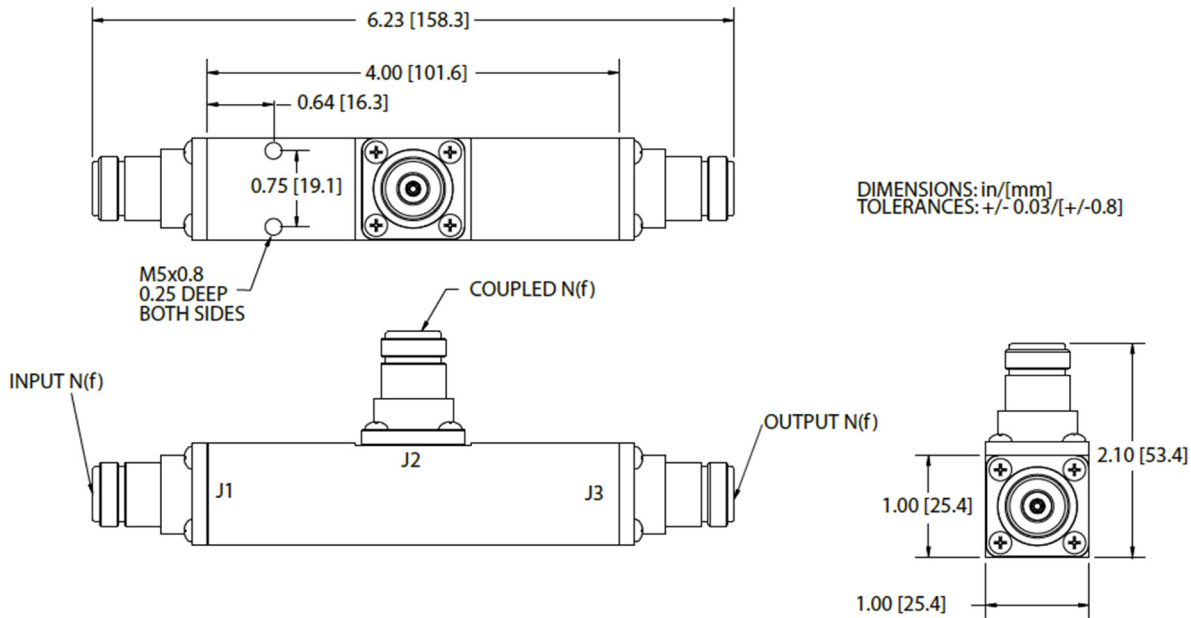
COMMON PARAMETERS	SPECIFICATION
FREQUENCY RANGE	380 - 1550 MHz and 1650 - 2700 MHz
DISSIPATIVE LOSS (MAIN LINE)	0.17 dB Max.
POWER RATING	300W Avg. 3kW Peak Any Port
PASSIVE INTERMODS	-155 dBc
DC CONTINUITY	J1 - J3
CONNECTORS	Type 'N', 7/16 DIN, 4.1/9.5, 4.3/10.0
DIMENSIONS	4.0 x 1.0 x 1.0" See Outlines
WEIGHT	0.8 lbs
TEMPERATURE RANGE	-20 to +65°C Operating
WEATHERIZATION	IP-67

ClearComm Model Number	Nominal Coupling (dB) J1-J2	Split Ratio J3-J2 Output Inequality	Outputs Ref to Inputs (dB) J3-J2 to J1	Coupling Accuracy +/- dB	Input VSWR / Return Loss J1
CCUD-101	4.8	2:1 / 3.0 dB	1.65 / 3.35	+/-0.75	1.15 / 23.1 dB Min.
CCUD-102	6	3:1 / 4.8 dB	1.26 / 6	+/-0.75	1.45 / 14.7 dB Min.
CCUD-103	7	4:1 / 6 dB	1 / 7.0	+/-0.5	1.35 / 16.5 dB Min.
CCUD-104	8	5.3:1 / 7.25 dB	0.75 / 8.0	+/-0.5	1.25 / 19.1 dB Min.
CCUD-105	9	7.0:1 / 8.5 dB	0.59 / 9	+/-0.5	1.2 / 20.8 dB Min.
CCUD-106	10	9.0:1 / 9.5 dB	0.46 / 10	+1.4/-0.2	1.2 / 20.8 dB Min.
CCUD-107	13	19:1 / 13 dB	0.22 / 13	+/-0.8	1.2 / 20.8 dB Min.
CCUD-108	15	30:1 / 15 dB	0.14 / 15	+/-0.9	1.15 / 23.1 dB Min.
CCUD-109	20	100:1 / 20 dB	0.1 / 20	+/-1.0	1.15 / 23.1 dB Min.
CCUD-110	30	1000:1 / 30 dB	0.1 / 30.1	+1/-3	1.11 / 25.8 dB Min.

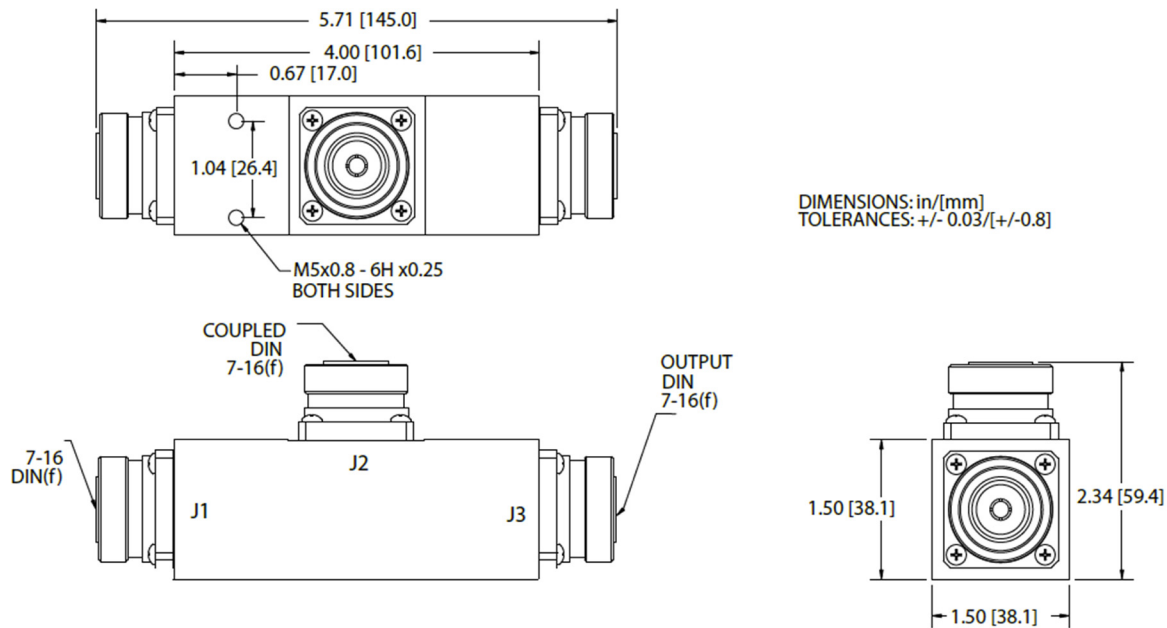


SIGNAL FLOW

Revision: 091415



OUTLINE – CCUD Series, Type 'N' Version



OUTLINE – CCUD Series, DIN Version