



WIRELESS PRODUCTS

Wide Band Diplexer

Model Number: CCDP-663-1

PARAMETER	SPECIFICATION
FREQUENCY RANGE COMMON PORT LOW BAND PORT HIGH BAND PORT	698 – 2155 MHz 698 – 894 MHz (700 Band thru 850 Band) 1710 - 2155 MHz (AWS Band thru 1900 Band)
PASSBAND INSERTION LOSS	0.3 dB Max
PASSBAND RETURN LOSS	24 dB Min
PORT TO PORT ISOLATION	60 dB Min
PASSIVE INTERMODS	-153 dBc
POWER HANDLING	500 W CW / Avg 12.5 kW Peak
OPERATING TEMPERATURE	-40° to +60° Operating
CONNECTORS	7/16 DIN Female - Long Neck
SIZE	7.5 x 3.5 x 2.6"
WEIGHT	4.5 lbs
AVAILABLE OPTIONS	<ul style="list-style-type: none"> • DC Pass thru 700, 850 or both ports to Common. Rated AISG 2.0 • RF Sample Port • Mounting: Tower, Cable Tray, Ladder or Rack Mount Options Available

Revision: 010312

28410 Crown Road
Tel: 410-860-0500
Web: www.clearcommtech.com

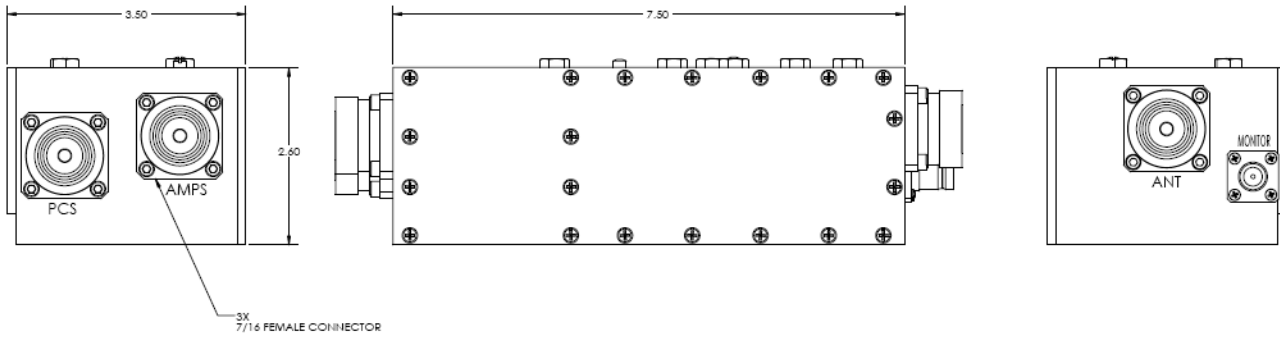
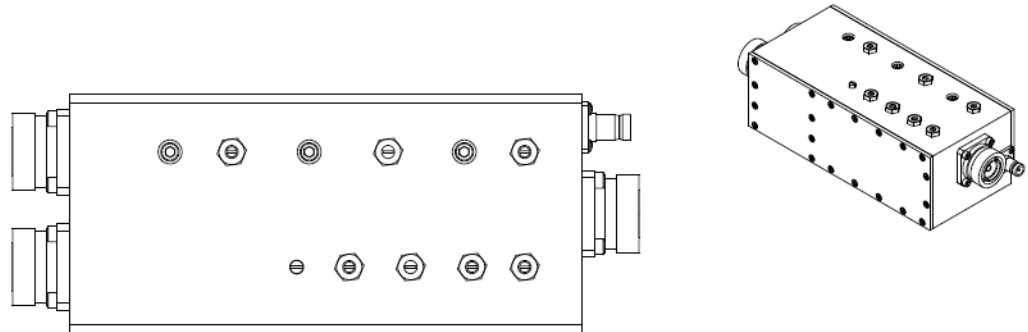
ClearComm Technologies, LLC
Clearly the Choice!

Fruitland, MD 21826
Fax: 410-860-9005
E-Mail: sales@clearcommtech.com



WIRELESS PRODUCTS

Wide Band Diplexer



OUTLINE

Revision: 010312

28410 Crown Road
Tel: 410-860-0500
Web: www.clearcommtech.com

ClearComm Technologies, LLC
Clearly the Choice!

Fruitland, MD 21826
Fax: 410-860-9005
E-Mail: sales@clearcommtech.com