



WIRELESS PRODUCTS

Attenuators

ClearComm Technologies High Power, Low PIM Attenuators consist of an unequal divider and a High Power, Low PIM Termination. This configuration give a broadband attenuation. Options include Attenuation value (based on Unequal Divider), Power Rating (Based on Termination) and Connector Types

COMMON PARAMETERS	SPECIFICATION
FREQUENCY RANGE	698 - 2700 MHz
ATTENUATION VALUES	Fixed, 3 to 30 dB
RETURN LOSS	20 dB Min.
POWER RATING	20W, 50 or 100W Avg. Per Port
PASSIVE INTERMODS	-155 dBc
CONNECTORS	Type 'N', 7/16 DIN, 4.1/9.5 Mini DIN, 4.3/10.0 Mini DIN
DIMENSIONS	See Outline
WEIGHT	Approx. 15 lbs
TEMPERATURE RANGE	-20° to +55°C Operating
WEATHERIZATION	IP-65 (Indoor)

STANDARD MODELS

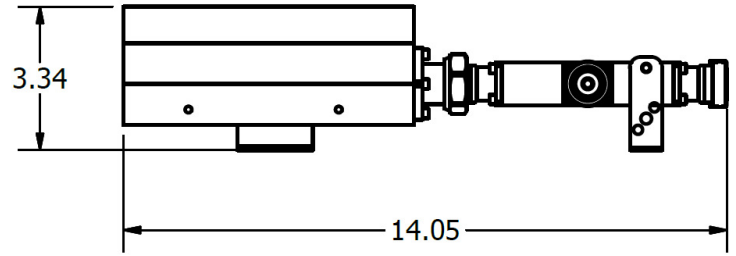
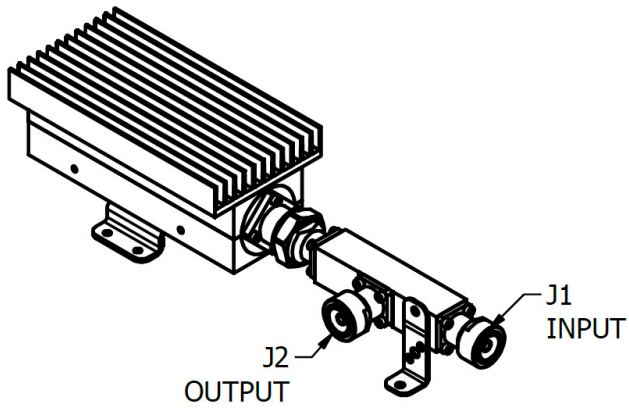
ClearComm Model Number	Description
CCHA-110	Attenuator, 3 dB, 100 W Avg.
CCHA-111	Attenuator, 6 dB, 100 W Avg.
CCHA-112	Attenuator, 10 dB, 100 W Avg.
CCHA-113	Attenuator, 15 dB, 100 W Avg.
CCHA-114	Attenuator, 20 dB, 100 W Avg.
CCHA-115	Attenuator, 30 dB, 100 W Avg.

Revision: 091415



WIRELESS PRODUCTS

Attenuators



OUTLINE DRAWING