



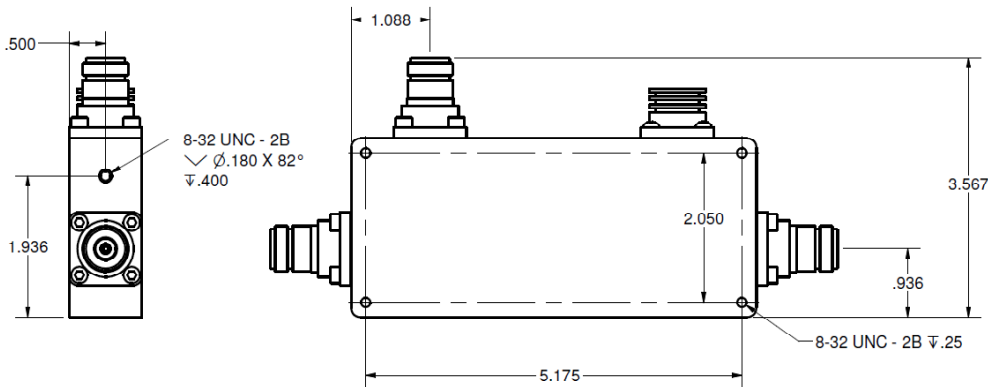
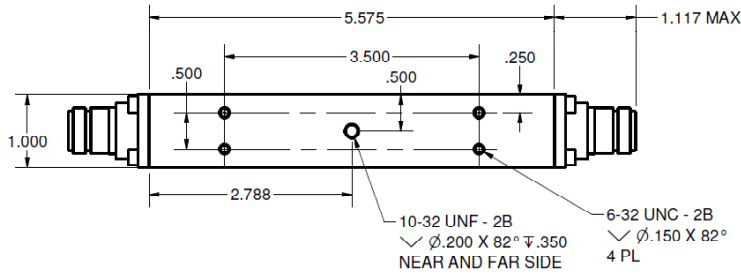
## WIRELESS PRODUCTS

### Directional Couplers

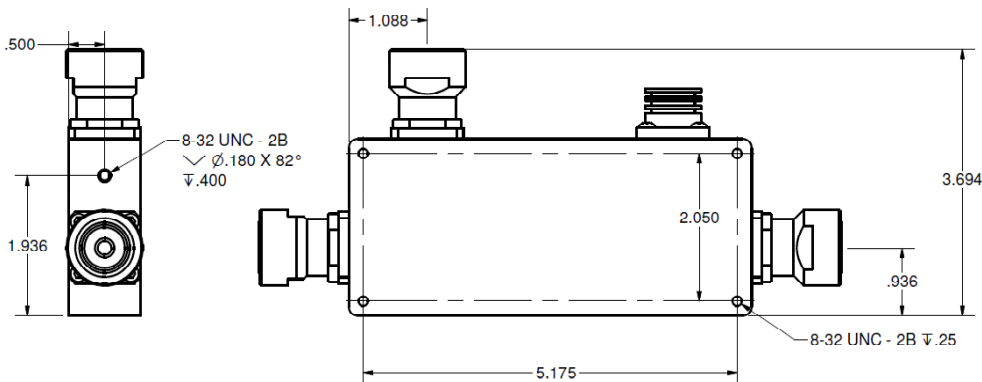
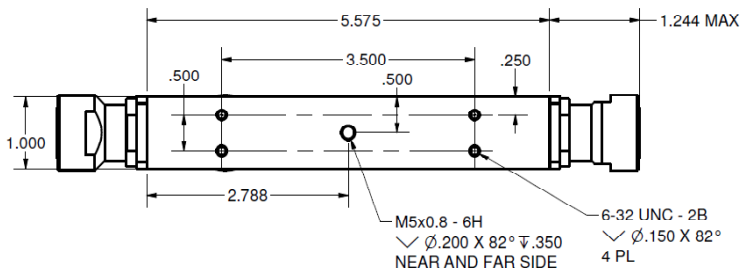
COMMON PARAMETERS	SPECIFICATION
FREQUENCY RANGE	698 - 2700 MHz
PRIMARY / COUPLED LINE RETURN LOSS	20 dB Min. / 18 dB. Min
POWER RATING	200W Avg.
INTERNAL TERMINATION	5W Avg.
PASSIVE INTERMODS	-155 dBc
DC CONTINUITY	Through Line
CONNECTORS	Type 'N', 7/16 DIN, 4.1/9.5, 4.3/10.0
DIMENSIONS	5.2 x 3.6 x 1.0" See Outlines
WEIGHT	1.5 lbs
TEMPERATURE RANGE	-20° to +55°C Operating
WEATHERIZATION	IP-67

ClearComm Model Number	Coupling Including Flatness	Flatness	Insertion Loss	Directivity
CCDC-110	6 dB +1.0/-1.0 dB	±0.4 dB	1.90 dB Max	20 dB Min
CCDC-111	10 dB +1.2/-0.5 dB	±0.5 dB	0.83 dB Max	20 dB Min
CCDC-112	15 dB +1.2/-0.7 dB	±0.6 dB	0.43 dB Max	20 dB Min
CCDC-113	20 dB +1.2/-0.5 dB	±0.6 dB	0.31 dB Max	20 dB Min
CCDC-114	30 dB +2.0/-0.0 dB	±0.6 dB	0..27 dB Max	20 dB Min

Revision: 090314



OUTLINE - TYPE 'N' Versions



OUTLINE - 7/16 DIN Versions