



WIRELESS PRODUCTS
Hybrid Combiner Series

Model Number: CCHC-104

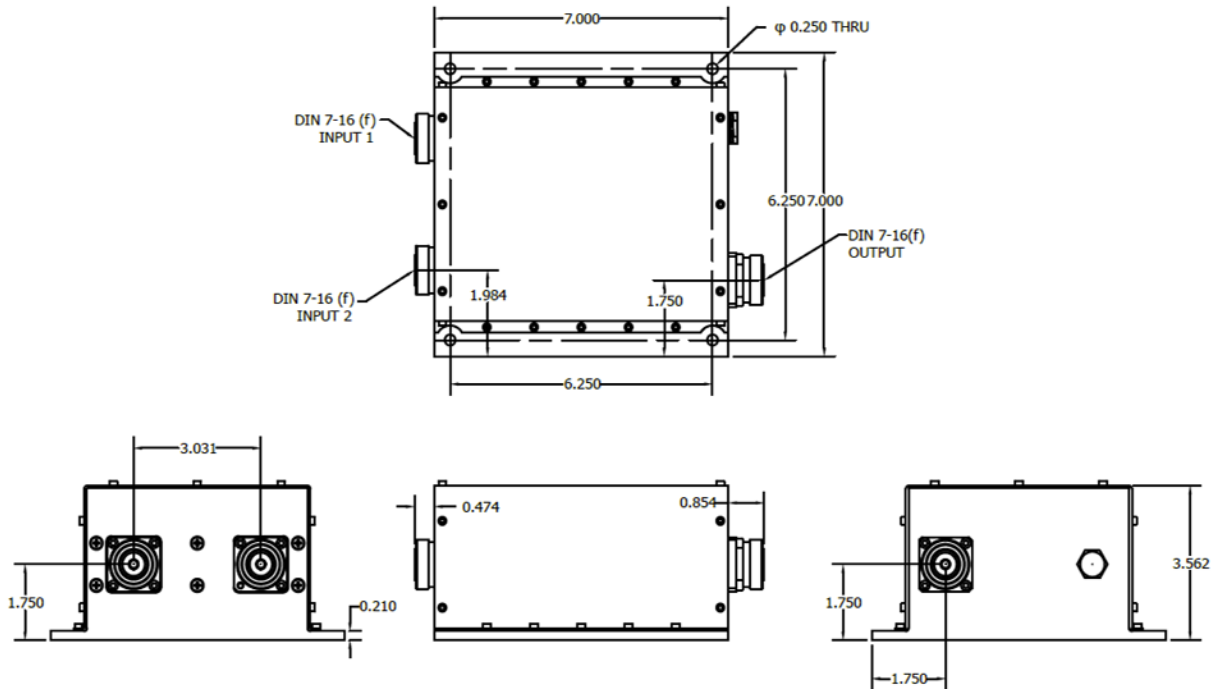
PARAMETER	SPECIFICATION
FREQUENCY RANGE	698 - 2155 MHz
INSERTION LOSS	3.5 dB Max. (3.1 dB Coupling Loss)
RETURN LOSS	23 dB Min.
ISOLATION	20 dB Min.
PASSIVE INTERMODS	-155 dBc
POWER HANDLING	250 W CW / Avg. Per Port
OPERATING TEMPERATURE	-40° to +50°C Operating
WEATHERIZATION	Per IP-65 (Indoor Versions) Per IP-67 (Weatherized Versions)
CONNECTORS	Type 'N', 7/16 DIN, 4.1/9.5 Mini DIN, 4.3/10.0 Mini DIN
DIMENSIONS	See Outlines
WEIGHT	Approx. 8 lbs

Revision: 091415

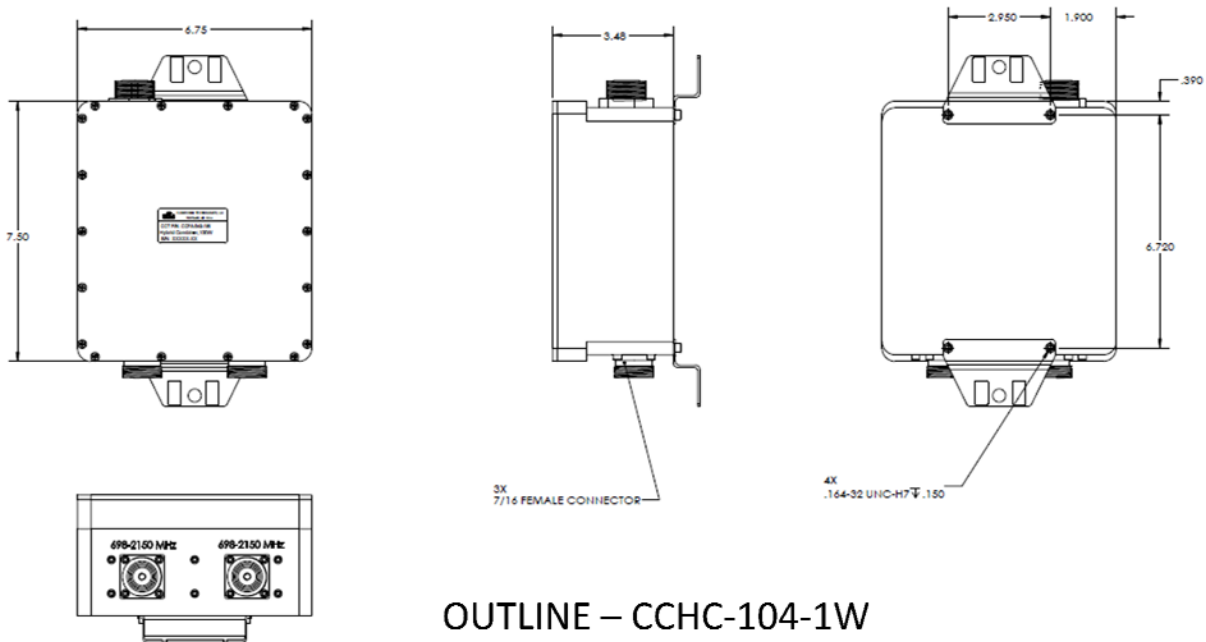


WIRELESS PRODUCTS

Hybrid Combiner Series



OUTLINE – CCHC-104-1



OUTLINE – CCHC-104-1W