



WIRELESS PRODUCTS

Hybrid Couplers

COMMON PARAMETERS	SPECIFICATION
FREQUENCY RANGE	698 - 2700 MHz
POWER RATING	100W Avg. Per Port
PASSIVE INTERMODS	-155 dBc
DC CONTINUITY	Through Lines
CONNECTORS	Type 'N', 7/16 DIN, 4.1/9.5, 4.3/10.0
DIMENSIONS	See Outlines
WEIGHT	See Table Below
TEMPERATURE RANGE	-20° to +55°C Operating
WEATHERIZATION	IP-67

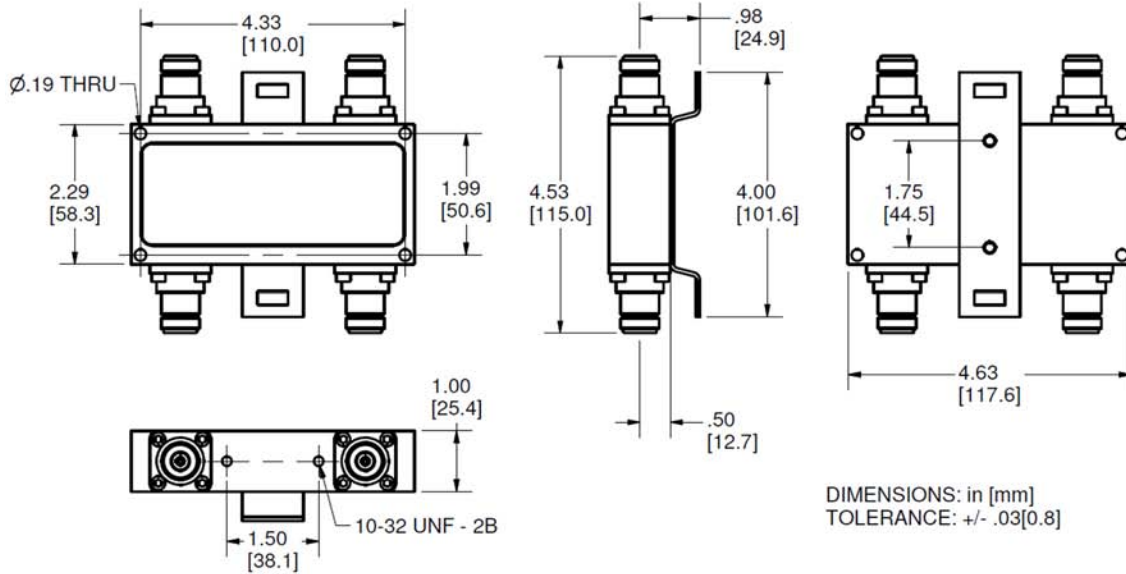
ClearComm Model Number	Description	Insertion Loss Per Channel	Isolation	Return Loss	Weight
CCHC-101	2 x 2 Hybrid	3.5 dB Nom.	30 dB Min	25 dB Min	1.4 lbs
CCHC-102	3 x 3 Hybrid	4.8 dB Nom.	23 dB Min.	20 dB Min	4.2 lbs
CCHC-103	4 x 4 Hybrid	6.2 dB Nom.	20 dB Min.	20 dB Min	5.2 lbs

Revision: 091415

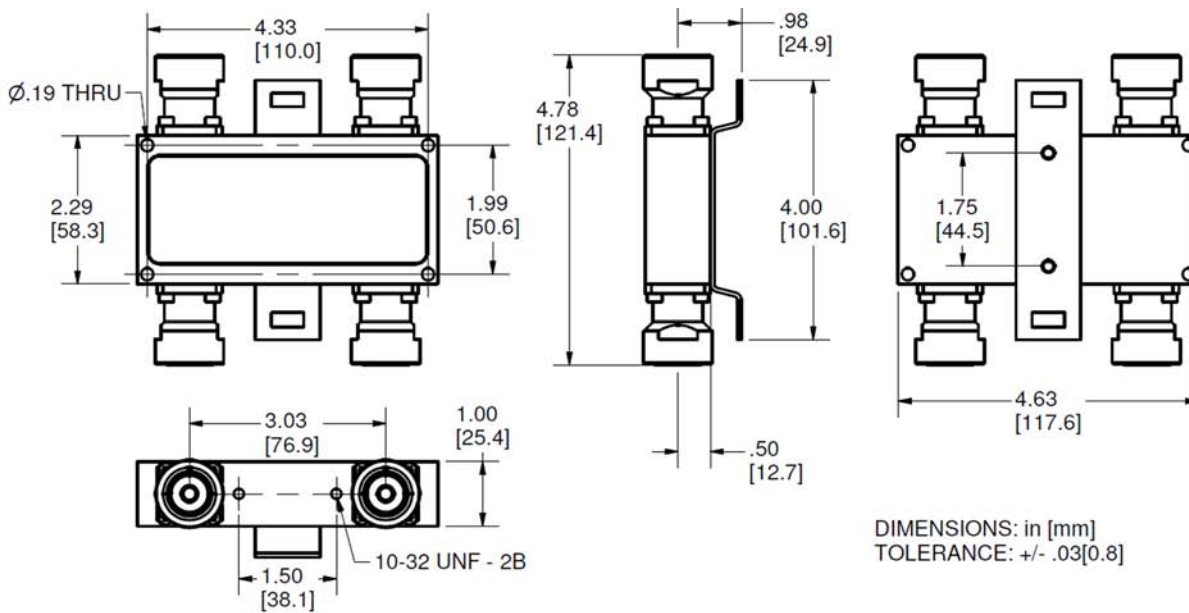
28410 Crown Road
 Tel: 410-860-0500
 Web: www.clearcommtech.com

ClearComm Technologies, LLC
Clearly the Choice!

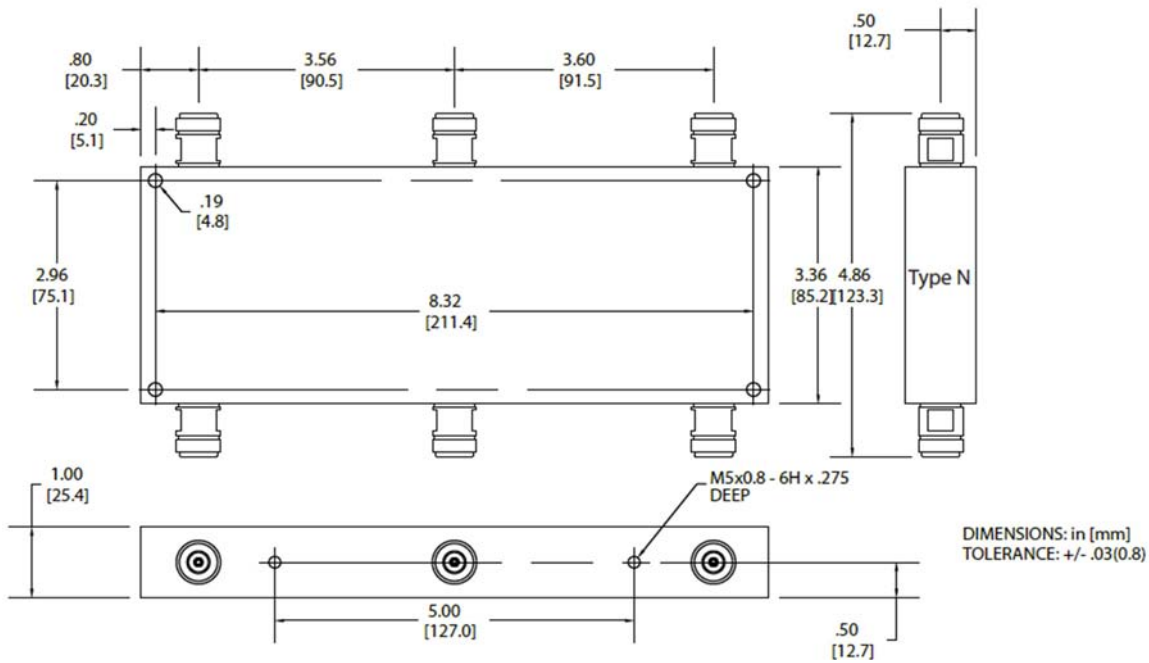
Fruitland, MD 21826
 Fax: 410-860-9005
 E-Mail: sales@clearcommtech.com



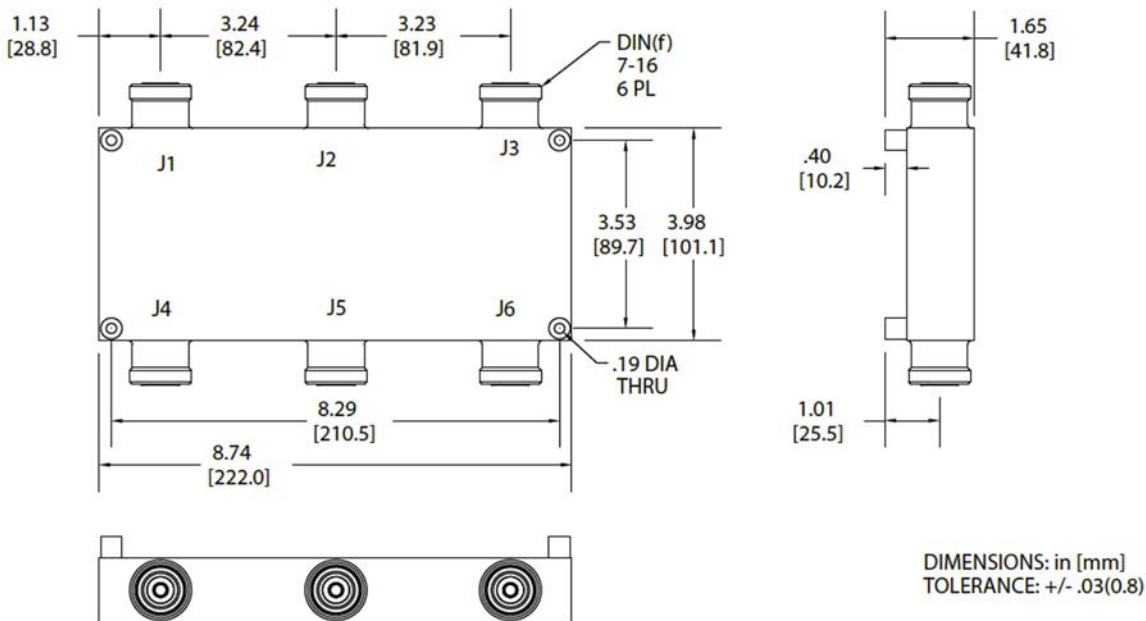
OUTLINE CCHC-101



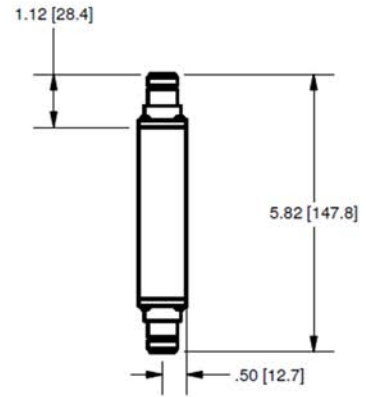
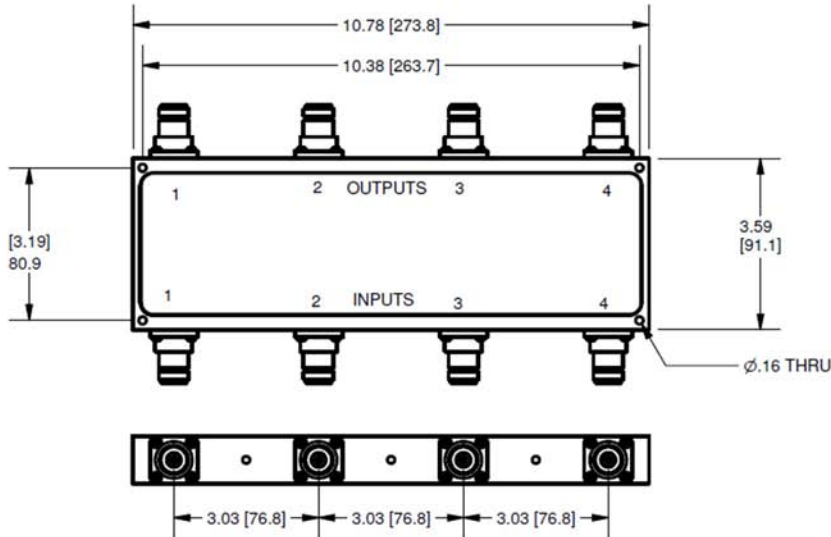
OUTLINE CCHC-101-1



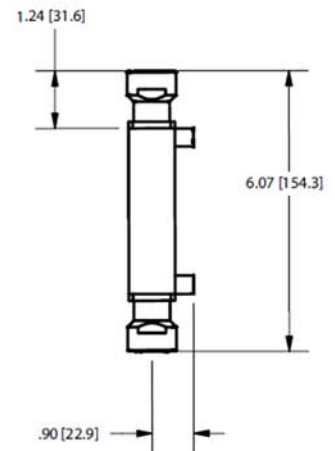
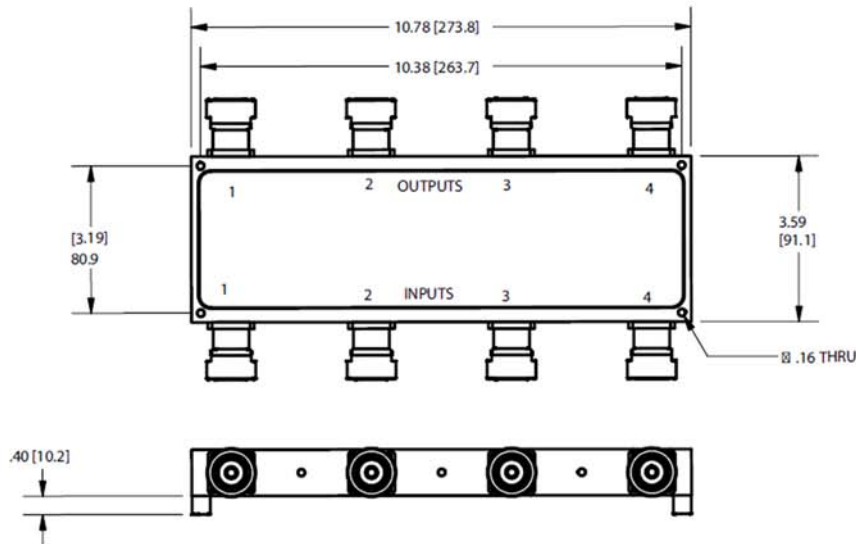
OUTLINE CCHC-102



OUTLINE CCHC-102-1



OUTLINE CCHC-103



OUTLINE CCHC-103-1