



WIRELESS PRODUCTS

Power Dividers

| COMMON PARAMETERS | SPECIFICATION |
|--------------------------|---|
| FREQUENCY RANGE | 698 - 2700 MHz |
| POWER RATING | 50W Avg. with 3:1 Max Load on All Ports |
| PASSIVE INTERMODS | -155 dBc |
| DC CONTINUITY | Through Line |
| CONNECTORS | Type 'N', 4.1/9.5, 4.3/10.0 |
| DIMENSIONS | See Outlines |
| WEIGHT | See Table Below |
| TEMPERATURE RANGE | -20° to +70°C Operating |
| WEATHERIZATION | IP-65 |

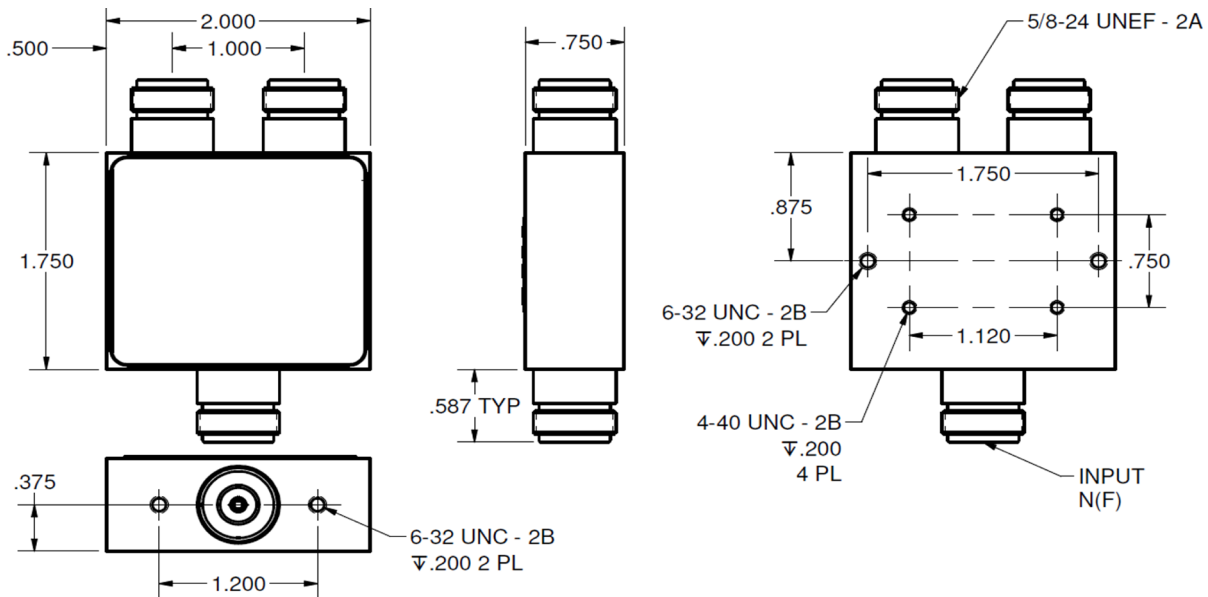
| ClearComm Model Number | Number of Outputs | Return Loss Input | Return Loss Outputs | Insertion Loss | Split Loss | Isolation | Weight |
|-------------------------------|--------------------------|--------------------------|----------------------------|-----------------------|-------------------|------------------|---------------|
| CCPD-112 | 2 | 18 dB Max. | 21 dB Max. | 0.5 dB Max. | 3.0 dB | 22 dB Min. | 0.4 lbs |
| CCPD-113 | 3 | 18 dB Max. | 18 dB Max. | 0.4 dB Max. | 4.8 dB | 20 dB Min. | 0.8 lbs |
| CCPD-114 | 4 | 18 dB Max. | 18 dB Max. | 1.4 dB Max. | 6.0 dB | 20 dB Min. | 1.2 lbs |
| CCPD-115 | 8 | 12 dB Max. | 18 dB Max. | 1.4 dB Max. | 9.0 dB | 20 dB Min. | 1.8 lbs |

Revision: 091814

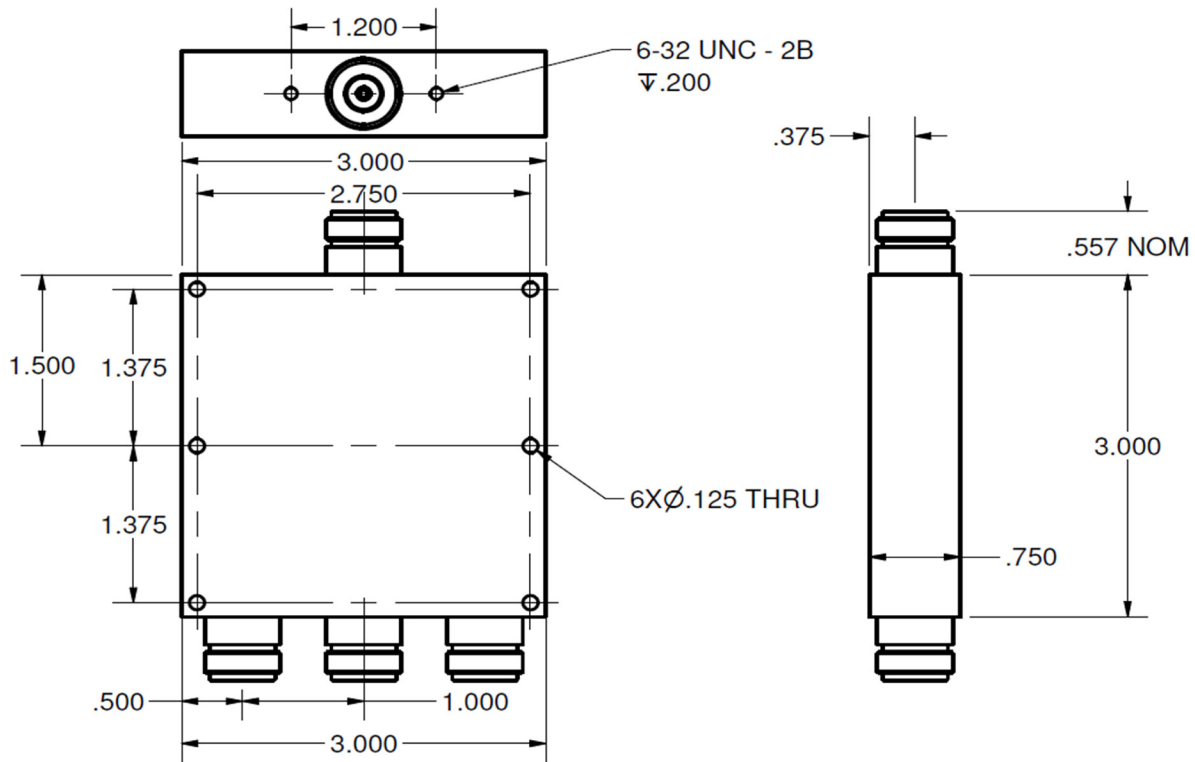
28410 Crown Road
Tel: 410-860-0500
Web: www.clearcommtech.com

ClearComm Technologies, LLC
Clearly the Choice!

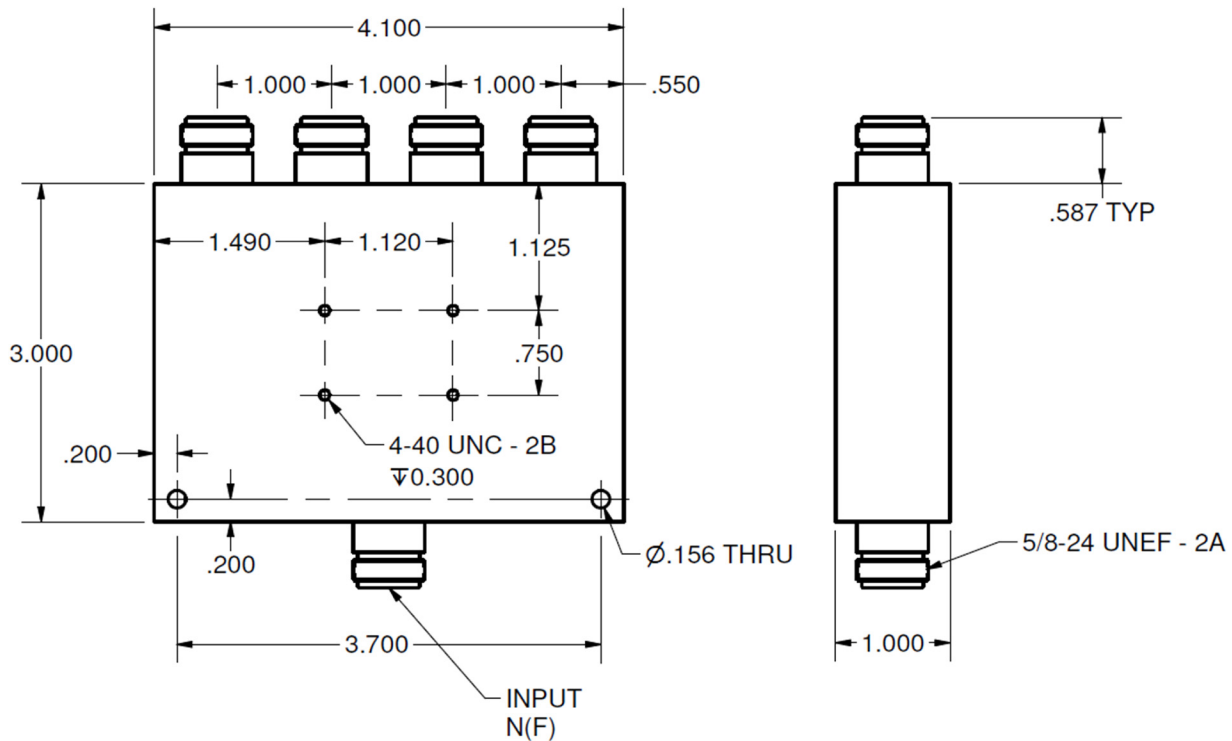
Fruitland, MD 21826
Fax: 410-860-9005
E-Mail: sales@clearcommtech.com



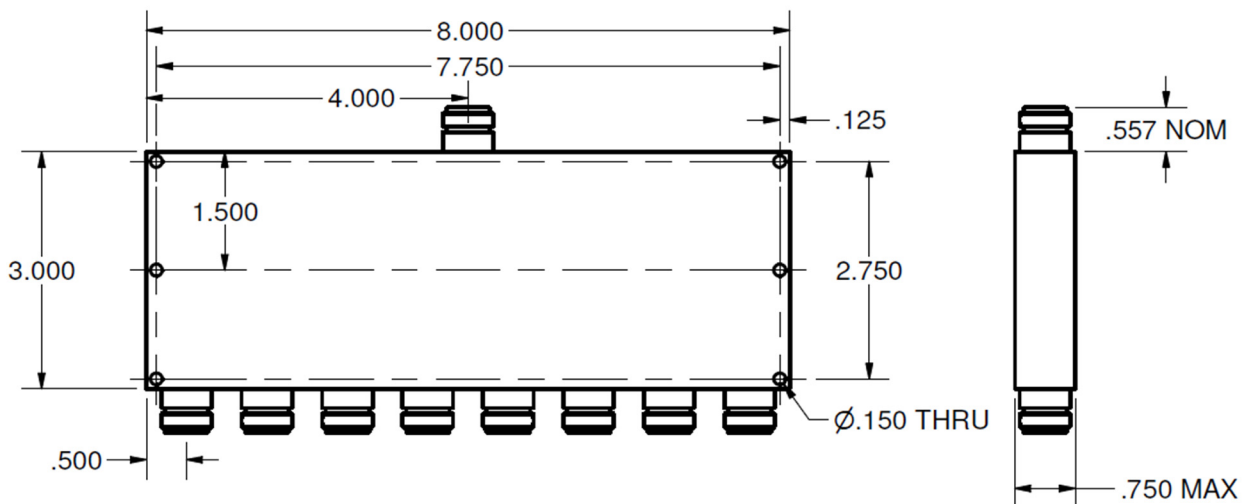
OUTLINE – CCPD-112



OUTLINE – CCPD-113



OUTLINE – CCPD-114



OUTLINE – CCPD-115