



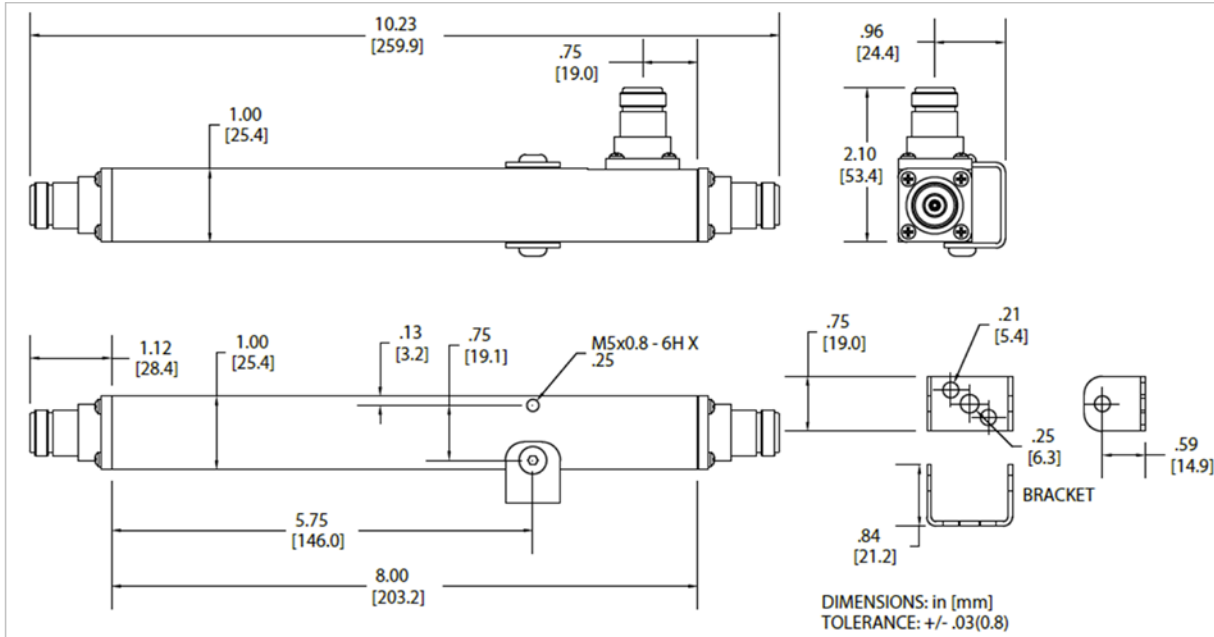
# *WIRELESS PRODUCTS*

## Reactive Power Dividers

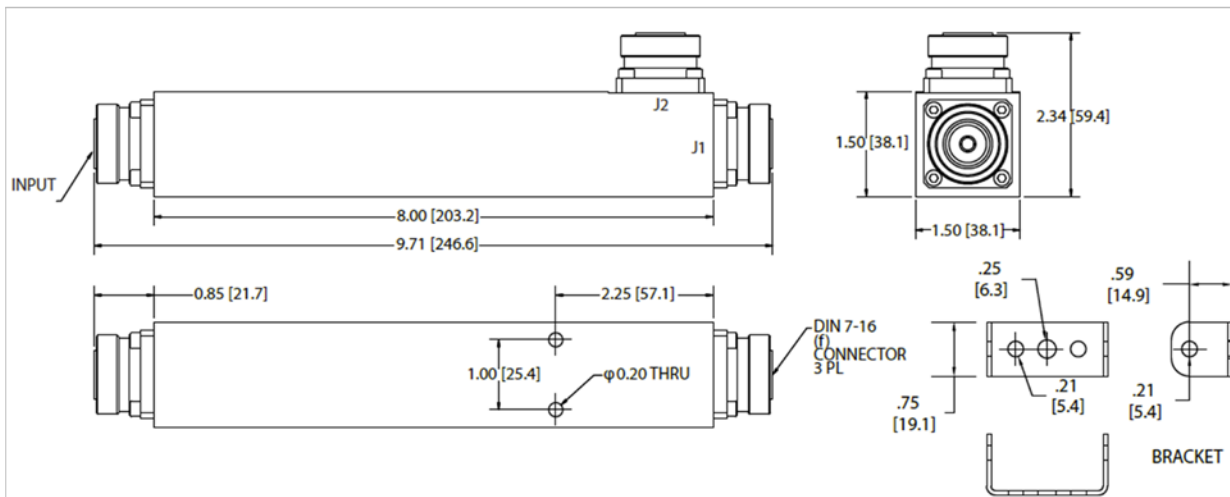
| COMMON PARAMETERS | SPECIFICATION   |
|-------------------|---|
| FREQUENCY RANGE   | 698 - 2700 MHz  |
| POWER RATING      | 500W Avg. 3kW Peak  |
| PASSIVE INTERMODS | -155 dBc  |
| DC CONTINUITY     | Through Line  |
| CONNECTORS        | Type 'N', 7/16 DIN, 4.1/9.5 Mini DIN, 4.3/10.0 Mini DIN   |
| DIMENSIONS        | See Outlines  |
| WEIGHT            | CCPD-109 Series (2-Way) 1.2 lbs<br>CCPD-111 Series (3 Way) 1.4 lbs<br>CCDP-110 Series (4 Way) 1.6 lbs |
| TEMPERATURE RANGE | -20° to +70°C Operating   |
| WEATHERIZATION    | IP-65   |

| ClearComm Model Number | Number of Outputs | Return Loss Input | Insertion Loss | Split Loss |
|------------------------|-------------------|-------------------|----------------|------------|
| CCPD-109 Series        | 2                 | 20 dB Min.        | 0.2 dB Max     | 3.1        |
| CCPD-111 Series        | 3                 | 23 dB Min.        | 0.2 dB Max     | 4.8        |
| CCPD-110 Series        | 4                 | 23 dB Min.        | 0.2 dB Max     | 6.0        |

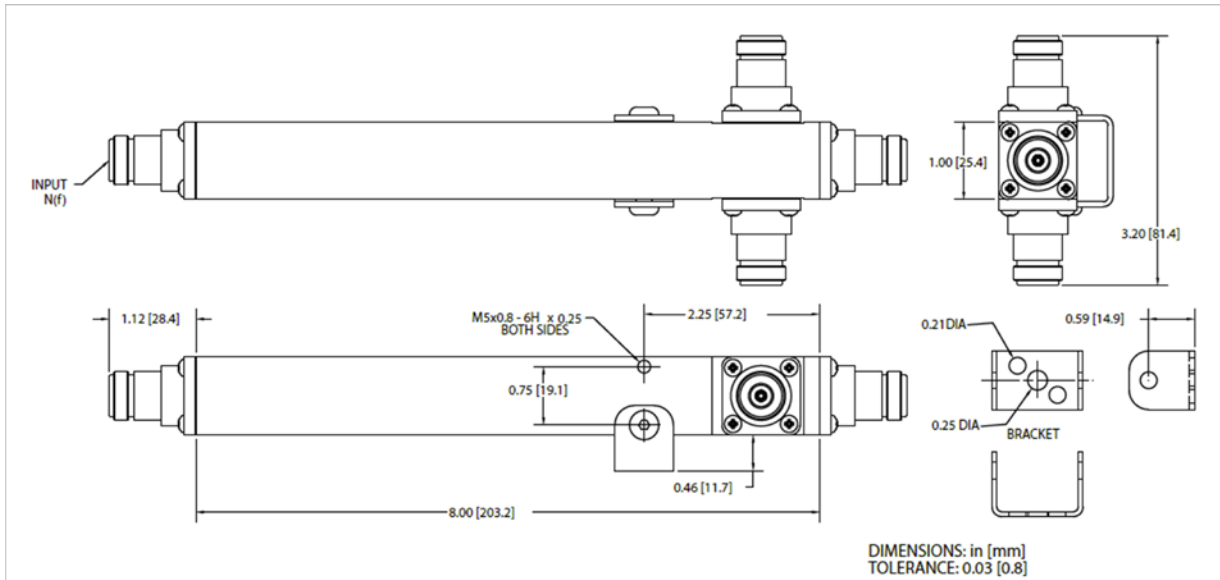
Revision: 091415



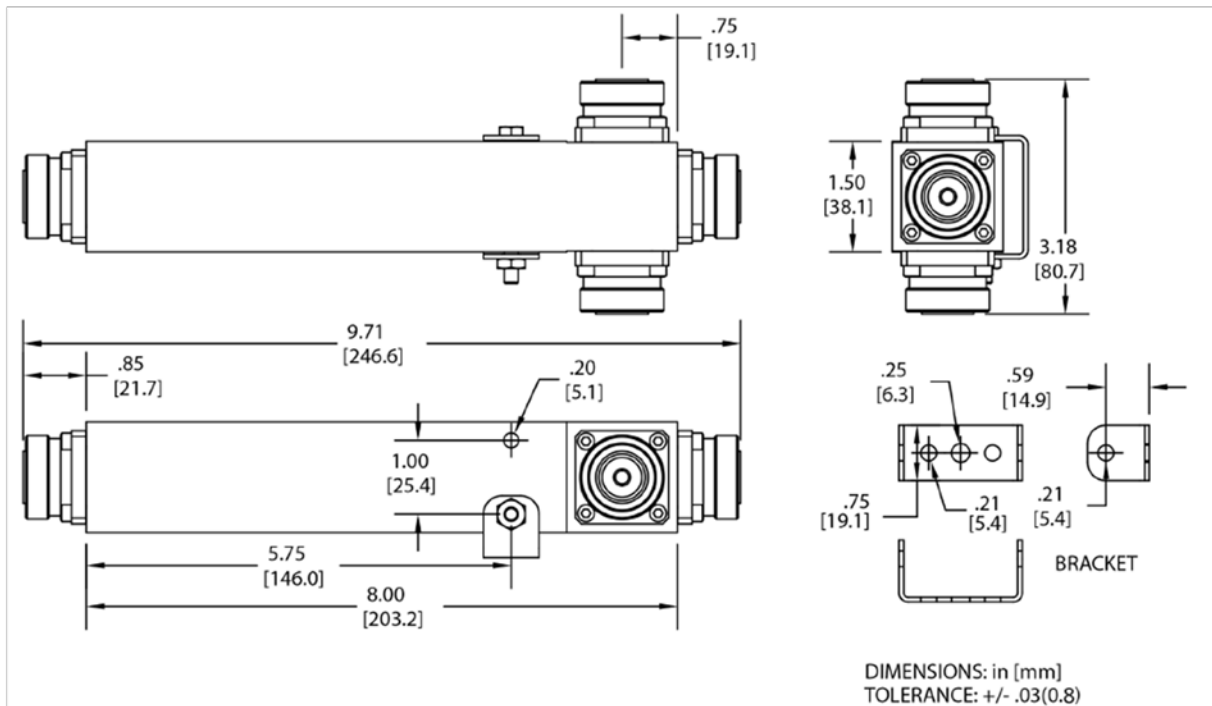
OUTLINE – CCPD-109



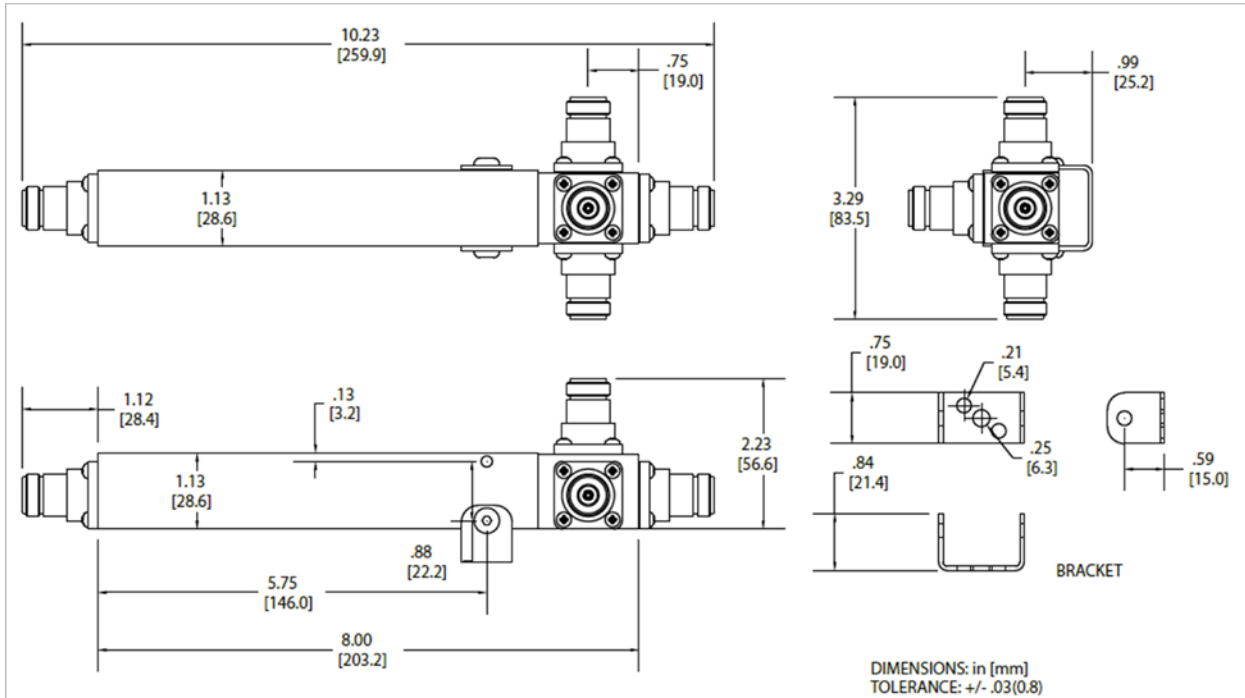
OUTLINE – CCPD-109-1



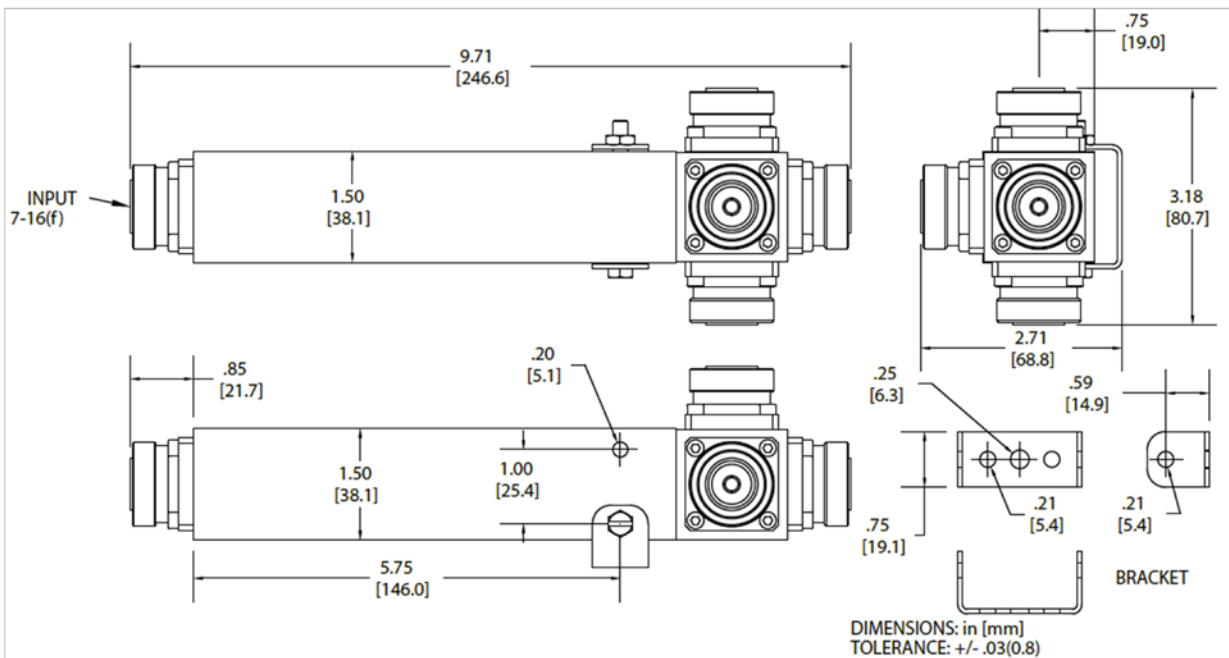
OUTLINE – CCPD-111



OUTLINE – CCPD-111-1



OUTLINE – CCPD-110



OUTLINE – CCPD-110-1